



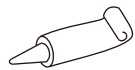
For easy installation of your faucet please do the following

- Thoroughly read all instruction before installing the faucet.
- Read and understand all warnings, care and maintenance information.

Cleaning and Care

Care should be exercised when cleaning this product. Although its finish is extremely durable, it can be damaged by harsh abrasives and cleaning pads. Please use few and non-abrasive cleaning solution to clean and care.

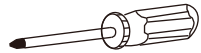
TOOLS YOU WILL NEED:



Plumber' s putty



Pipe tape



Philips screwdriver



Pliers



Adjustable wrench

PACKAGE CONTENTS

- 1- Freestanding Tub Filler
- 1- Installation Accessories
- 1- Hand Shower and Shower Hose
- 2- Cover Plate

FEATURES

- Elegant Brass Hand Shower
- Solid Brass Construction
- Ceramic Disc Cartridge

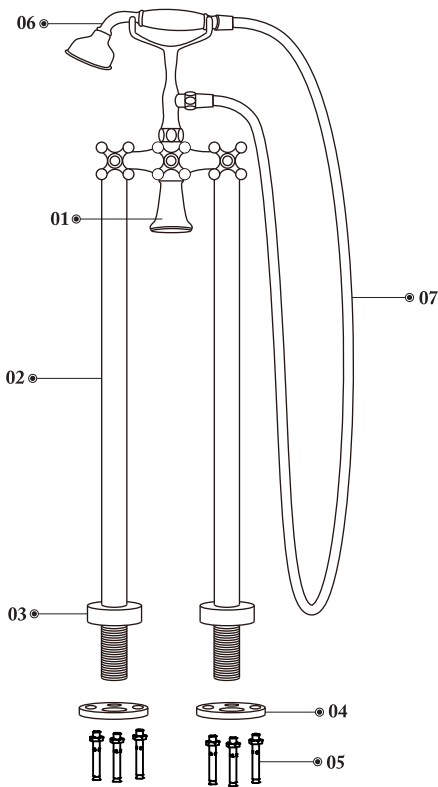
Installation Instruction

Freestanding Tub Filler Faucet Manual

Note: This Instructions Book Is Written For General Use
And Subject To Specification Variance Of Actual Parts

The product is cUPC certified.
Original certification model code:DF-02019-2





- 01.
Tub Filler Spout

- 02.
Floor Tube × 2

- 03.
Cover Plate × 2

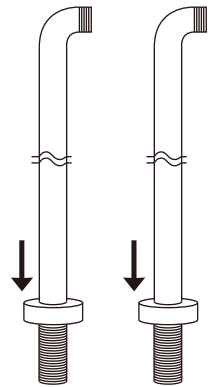
- 04.
Base × 2

- 05.
Screw × 6

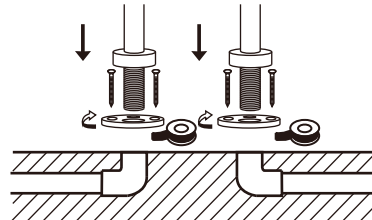
- 06.
Hand Shower

- 07.
Shower Hose

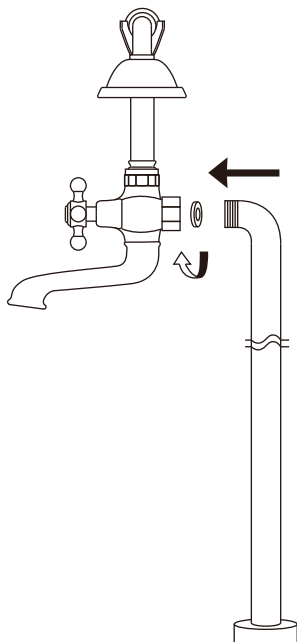
1
Slide Cover Plates onto the Floor Tubes.



2
Warp the threads on the end of the Bases with pipe tape. Screw the Bases into the female fittings. Install the water pipe underneath the floor, use the tub filler leg to do a preliminary measurement. Secure the Cover Plates on the floor.



3
Install two seal washers into couplings. Align the Floor Tubes with inlets of couplings. Thread the couplings to Floor Tubes.



- 4**
- 4a. Install the Shower Hose to the Hand Shower and the tub filler;
 - 4b. Confirm Tub Filler Spout and Hand Shower functionality;
 - 4c. Turn the tub filler cross handle to the "On" position initiating flow through the Tub Filler Spout;
 - 4d. Confirm proper hot and cold flow through spout;
 - 4e. Remove the Hand Shower from the hose and direct towards the bath;
 - 4f. Turn the diverter lever to direct flow from the spout to the Hand Shower;
 - 4g. With water now flowing through the Hand Shower check all Hand Shower Hose connections for leaks and confirm proper flow through the Hand Shower;
 - 4h. Turn the tub filler lever handle off.

